

EAGLE 3D 8800 TH Series

Through Hole 3D AOI System

Bottom Side Head 3D AOI



Advanced High Speed Inspection and Measurement Technology

Shadowless Phase Measuring Profilometry

EAGLES 8 Projector 3D AOI inspects 100% of the PCB in 2D and 3D. Combining the 2 technologies gives a complete optical inspection of a PCB shadow free and low false calls maintaining a high flexibility in system functionality.

Moiré Technology



Over 10 years of integrating Phase Measuring Profilometry Technology into our TROI Solder Paste Inspection Systems has proven the most advanced 3D technology available.

- 8 Projection +Two stage lighting
- 2D and 3D simultaneous inspection algorithms
- Telecentric Lens offers higher accuracy and detection
- High Speed CPU and Image Processing
- User Friendly Graphical Interface
- Built in Library Management System
- Offline Real Time Debug Station (Optional)

High Speed Inspection Technology

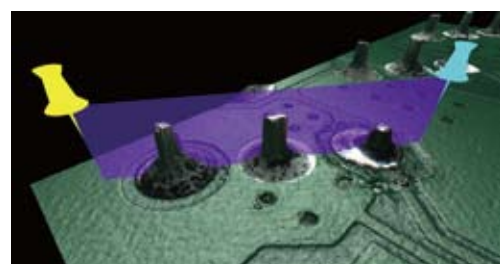
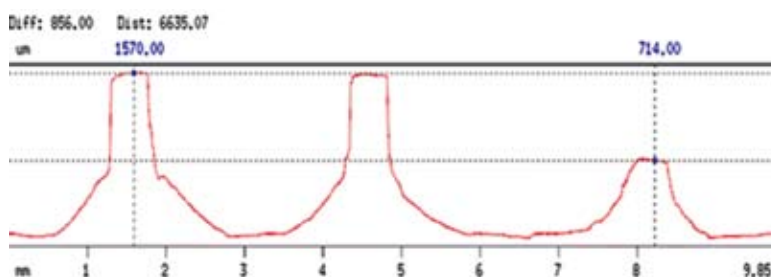
EAGLES High Speed Option inspects in 40.5cm sq. per sec. by utilizing an advanced network of more robust CPU, controller boards and our proprietary developed 9MP 15um 150fps camera with telecentric lens.



Bottom Side Camera Head

Profiling height of Pin

Realistic 3D image with profiling the Pin height



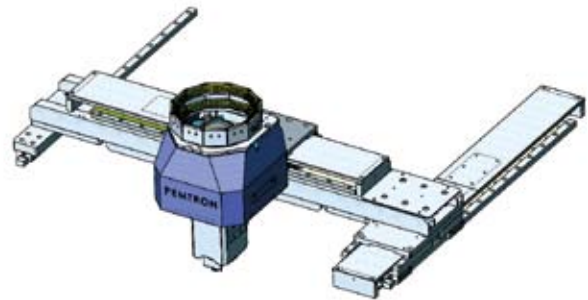
World First TH 3D AOI

Bottom Camera Head Gantry Type Movement

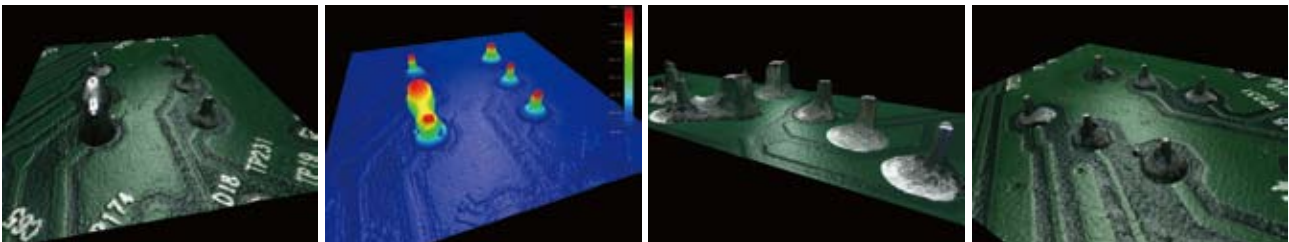
PEMTRON TH 3D AOI is the first system in the world which has bottom camera head for inline inspection.

Gantry is a type of structure which allows the movement of the camera head to shift into X/Y direction without moving the conveyor.

it provides a highly stable and precise inspection platform



Accurate defect detection with enhanced Full 3D



Ease of programming(Auto Teach Function)

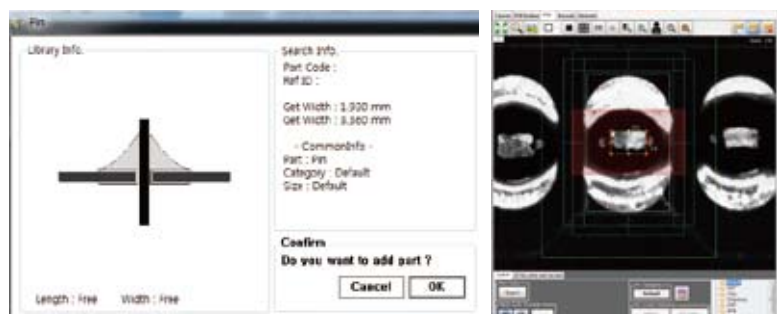
• PIN Common library

- User friendly Auto Teaching
- Advanced 3D imaging technology allows us to measure and recognize the geometric shapes of PCB components and automatically link them to our built parts library



• Special Algorithm for PIN

- User can create program with not only diverse type of existing algorithms, but TH system has special algorithm as right side.



EAGLE 3D 8800TH Series

(Through Hole Inspection System)

SPECIFICATIONS

| Model | | 8800TH/THL | |
|--------------------------|-------------------------|--|---|
| Camera Technology | | 10MP High Speed B&W Camera | |
| Detection Types | | Polarity(THT, SMD), Offset, Angle, Solder Joint (SMD, THT, ICs), Short circuit(Solder bridges), Solder Paste Inspection | |
| Lighting | | RGB 3D Stroboscopic + Top Lighting | |
| Resolution | | 10um | 15um |
| Inspection Speed | | 19.2 cm ² /sec | 43.2 cm ² /sec |
| FOV (Field of View) | | 32 x 30 mm | 48 x 45 mm |
| Height Range | | 0 – 5.5mm | |
| Gantry Type | | Linear Motor | |
| PCB Specification | Working Area | Standard | Min. 50 x50mm(2x2inch) / Max. 330 x 330mm(13x13inch) |
| | | Large Type | Min. 50 x50mm (2x2inch) / Max.510 x 510mm (20x20inch) |
| | PCB Thickness | 0.4 ~ 7.0mm | |
| | Top Clearance | 120mm | |
| | Bottom Clearance | 100mm | |
| Installation Requirement | Electrical Requirements | | 200 – 240 VAC, 50/60 Hz |
| | Air Requirement | | 5 Kgf/cm ² |
| | PowerConsumption | | 3.5kW(14A Max) |
| Control Unit | Control Method | | PC Based Control (Windows 7, 64bit) |
| | Monitor | | 24" LED Panel |
| Operating | Operating Temperature | | 20 - 30 °C (68 – 86 °F) |
| Machine Dimension | WxDxH/Weight | Standard | 1130 x1385 x 1615(44x55x64 inch) about 750kg(1653lbs) |
| | | Large Type | 1210 x1565 x 1615(47x62x64 inch) about 900kg(1984lbs) |
| Options | | Barcode Reader (1D & 2D) / Touch Panel / UPS(uninterrupted power supply | |

*Specifications subject to change without notice.



PEMTRON CORPORATION
 #1406, (Byuksan Digital Valley VI,
 Gasan-Dong) 219, Gasan digital 1-ro,
 Geumcheon-gu, Seoul, korea. 08501
 Tel: +82 2 2160 5000
 Fax: +82 2 2627 3770
 sales@pemtron.com

PEMTRON TECHNOLOGY, CORP
 3450 Wilshire Blvd., Ste 108-73 Los Angeles,
 CA 90010-2208
 Tel: +1 800 850 8764(TROI)
 steve.wong@pemtron.com

PEMTRON EUROPE GMBH
 Kronstadterstrasse 4, 81677 Munich / Germany
 Tel: +49 89 20 80 26 96 5
 spark@pemtron.com

PEMTRON MEXICO
 Av. Mariano Otero 1917 Local A-5,
 Residencial Victoria, Guadalajara, Jalisco,
 Mexico C.P. 44560
 Tel: +52 333 157 0636
 jaime.arreola@pemtron.com

PEMTRON TECHNOLOGIES ASIA PTE LIMITED
 Flat/Rm 1003, 10F Office Twr Hutchson
 Logistics Ctr 18 Container Port Rd South,
 Kwai Chung, HK
 Tel: +852 3665 6245
 kevin@pemtron.com

PEMTRON (Shenzhen) TECHNOLOGY Co., Ltd
 RM 508, A2 Build, Pei Hong Industry Park,
 No.1 Ke Hui Road. Middle Zone, High-New
 Science & Technology Park, Nanshan District,
 Shenzhen. P.R.China
 Tel: +86 138 2881 1057
 tao@pemtron.com